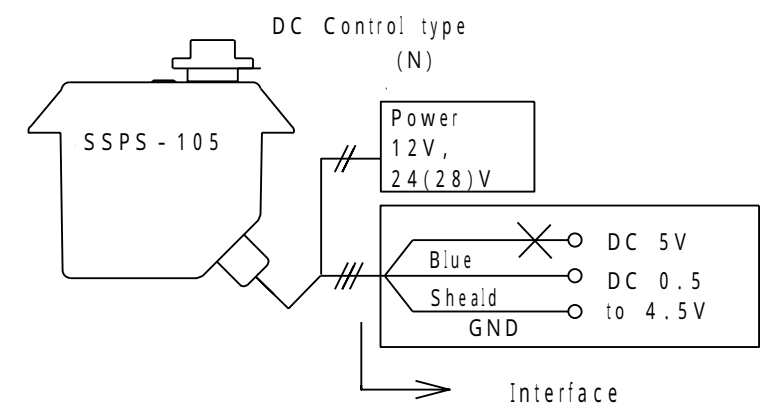


\*Order Example: SSPS - 105 - ABEFL  
 Pinion Gear drive, 12V , High speed  
 ±45deg Rotation and Control Signal is R/C  
 \*When you order 24,28V, you can order only high speed.  
 \*HS:High Speed type is Two times faster of STD.  
 half torqu of STD.

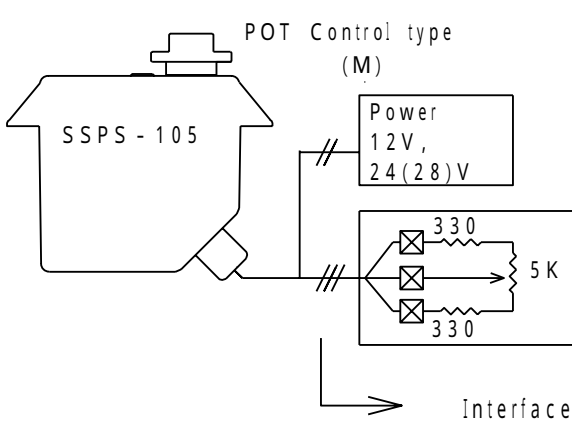
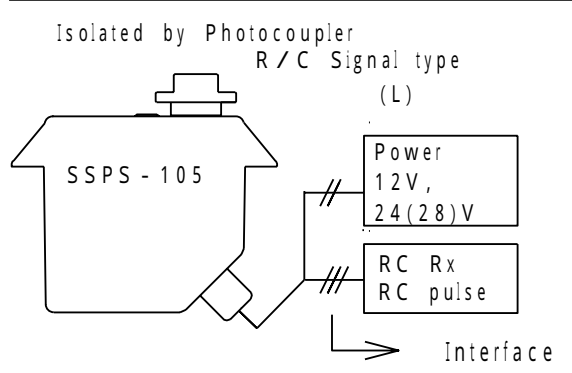
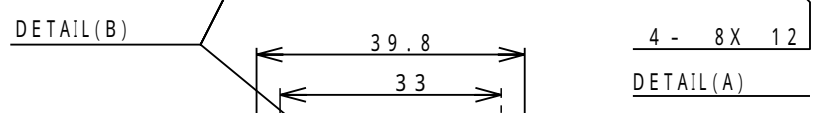
Order selection Table			
Gear Box 1st Stage	Power Voltage	Travel Speed	Rotation Angle
Selection	Selection	Selection	Selection
Pinion Gear (B)	12V (C)	STD (E)	±45deg (G)
			±90deg (H)
	24,28V (D) High Speed (F) only	HS (F)	±180deg (I)
			±180deg < order made (J)



Read these specs. and check your measured SYSTEM result before order.

Life by test result	600,000Cycle<(1cycle/5Sec) at Lord 30Kg - cm
Poer Motor	12V - CANON / 24,28V-Japan Servo
Weight	780g W / CORD 1Meter
Covering proof	Semi water - proof
Case	Aiuminum diecast
Control input Signal	3 to +5V 1.51mS ± 400µS; Frame timing > 15mS or 0.3to4.7VDC
Rotation Angle	±45deg; ±90deg; ±180deg; others / ±400µsec
Travel Speed	STD; 0.9Sec / 90deg, HS; 0.5Sec / 90deg'
Peak Torque Constant torqu is 1/6	STD; 380Kg - Cm HS ; 190Kg - Cm 24,28V / 300Kg - cm only
Power Current	MAX 9A / 12V: 10A / 24V
Operation Voltage	12V Spec(STD/High Speed) 24,28V Spec(High Speed only)

Common Specification Table



Isolated by Photocoupler  
 R/C Signal type (L)  
 CW & CCW Rotation only with speed control function without POT (as robot wheel drive unit) (K)

Control Input
RC + Pulse Signal (L)
POT Control type (M)
DC Voltage Control (N)